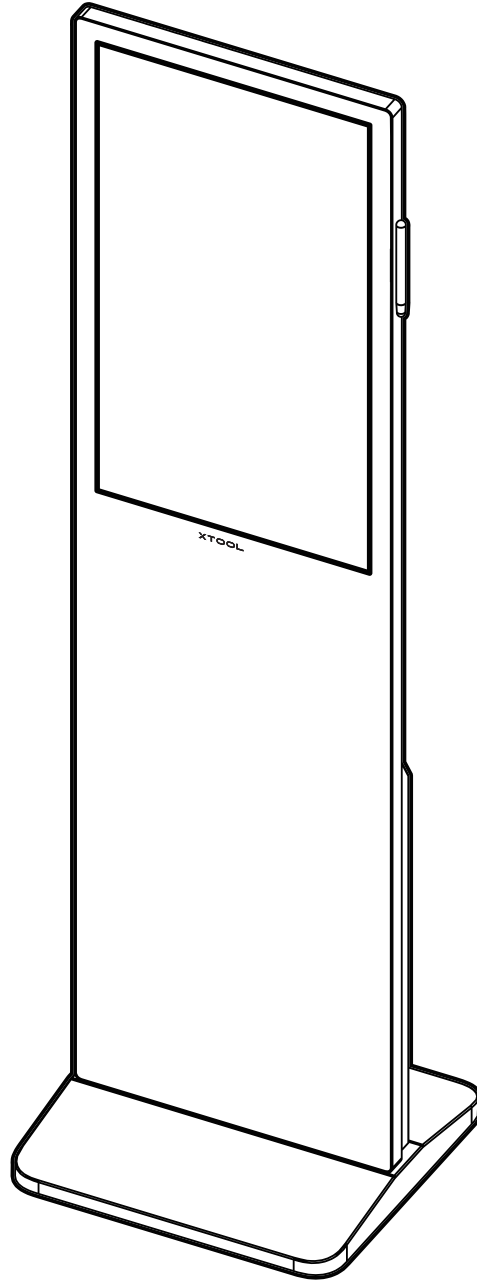


XTOOL

Self-Service Kiosk Floor Standing



Quick Start Guide

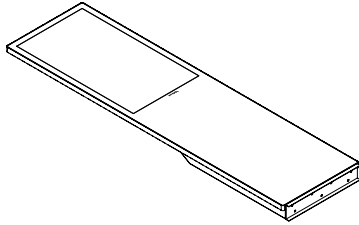
List of items ----- 01

Meet xTool Self-Service Kiosk Floor Standing -- 02

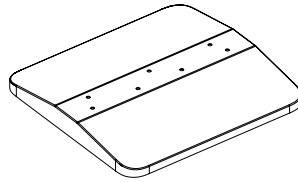
Install xTool Self-Service Kiosk Floor Standing · - 04

Use xTool Self-Service Kiosk Floor Standing - - - 06

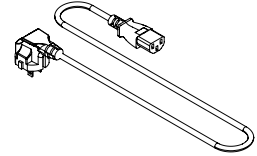
List of items



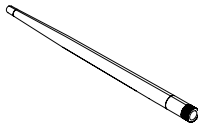
Self-service kiosk



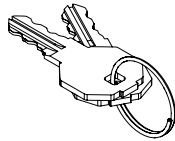
Support base



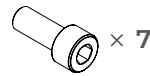
Power cable



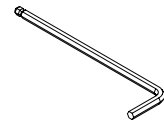
Antenna



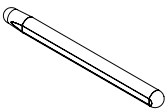
Maintenance key



Screw × 7



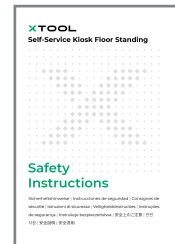
Hex key



Stylus pen



Quick start guide

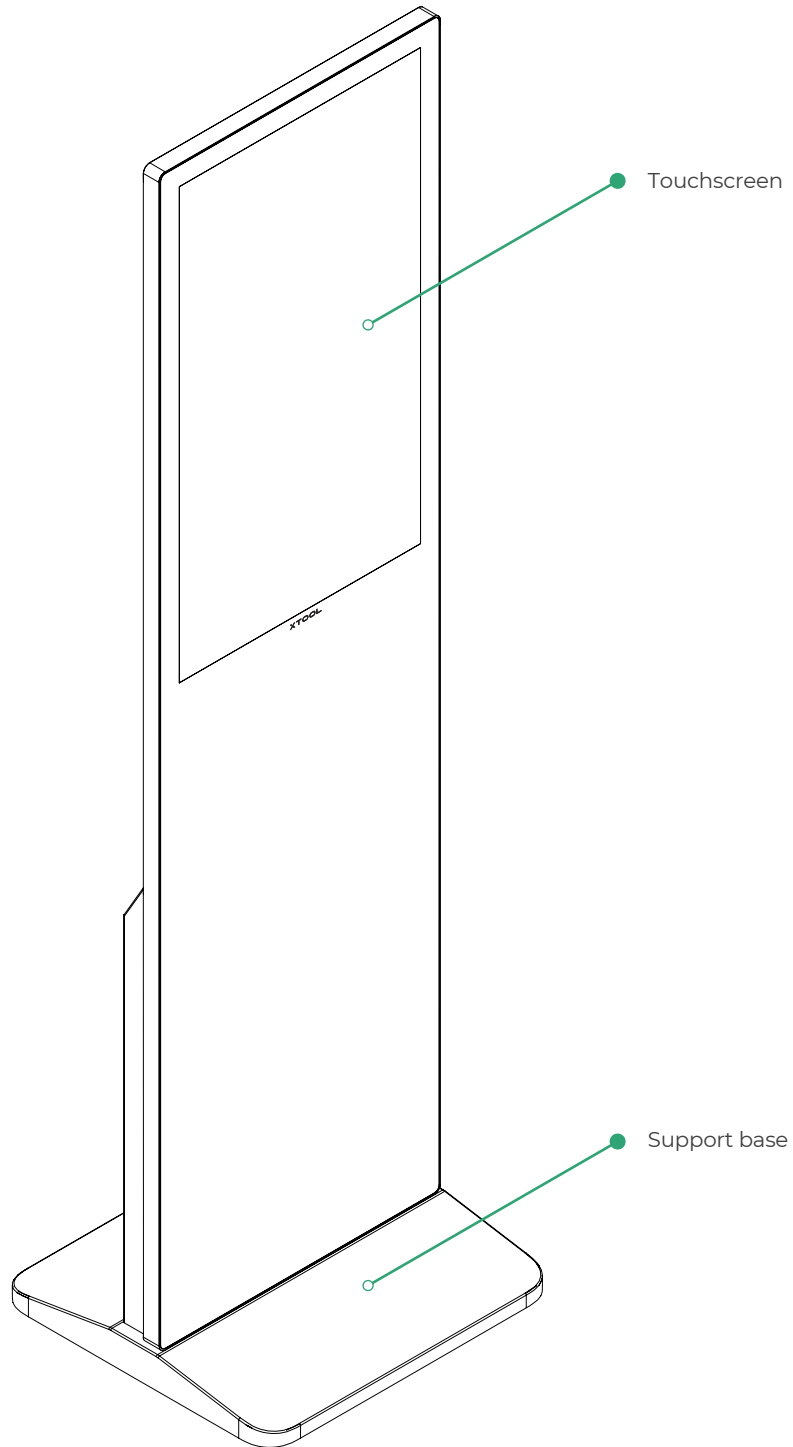


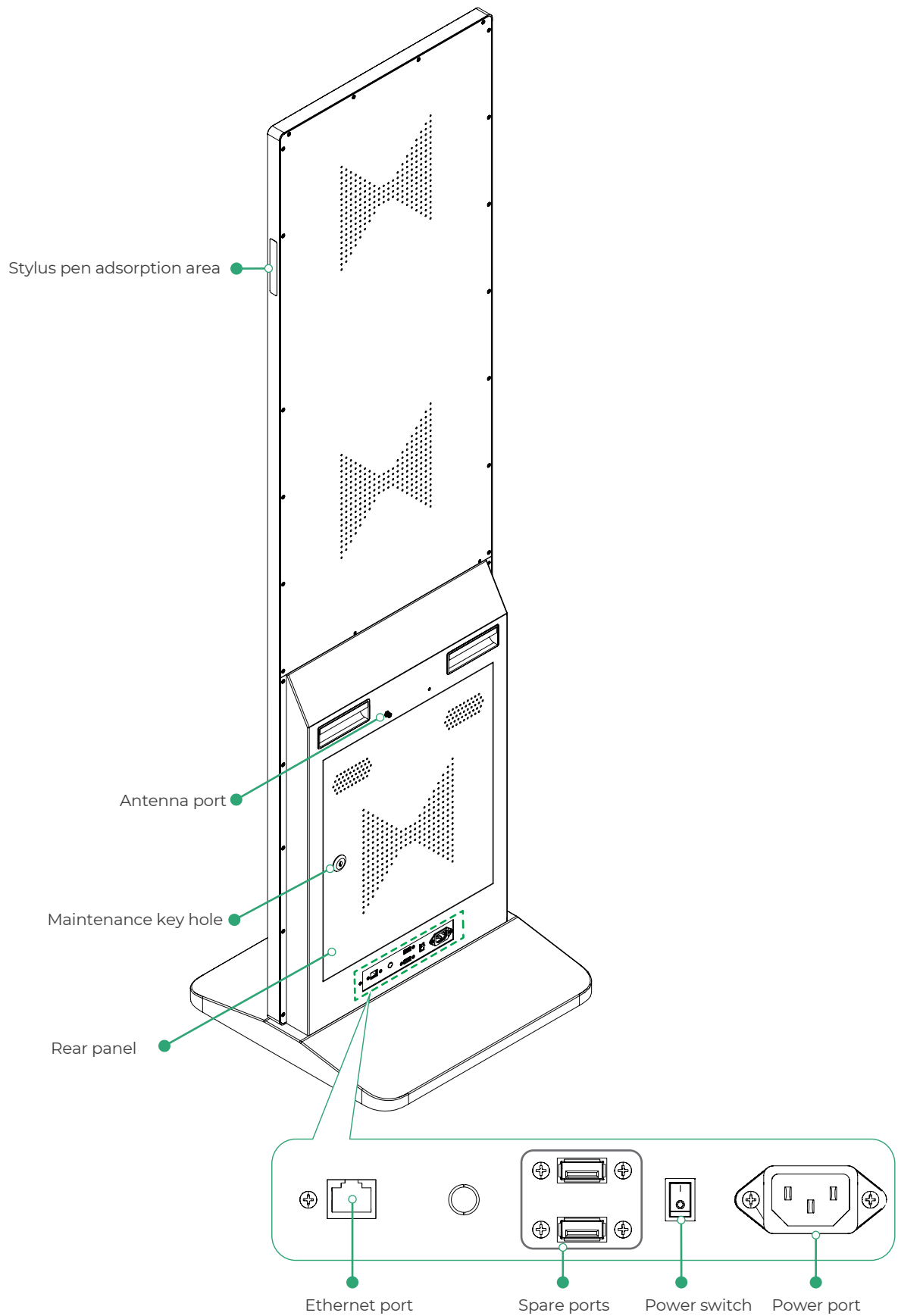
Safety instructions




The power cable varies according to the region in which the product is delivered.

Meet xTool Self-Service Kiosk Floor Standing

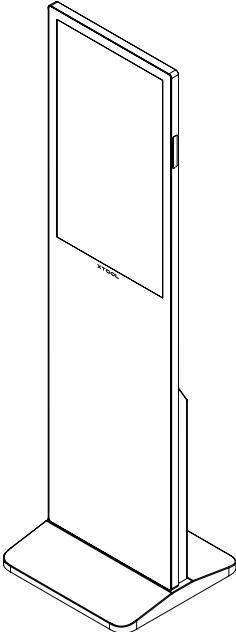
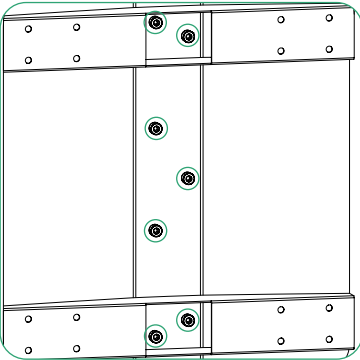
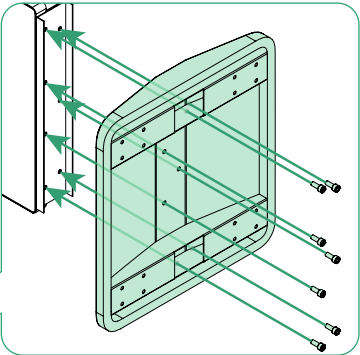
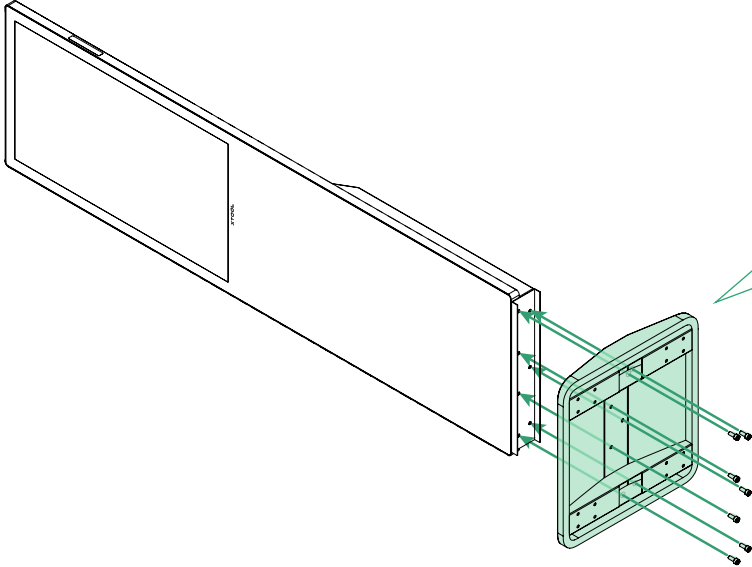
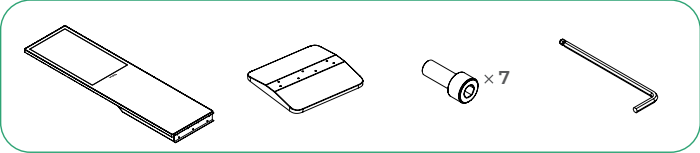




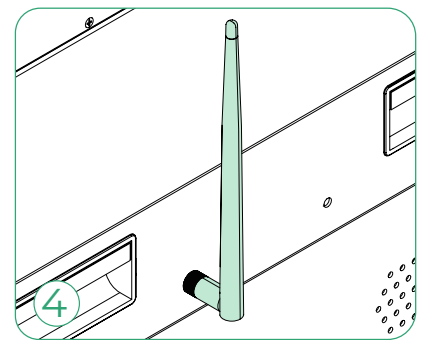
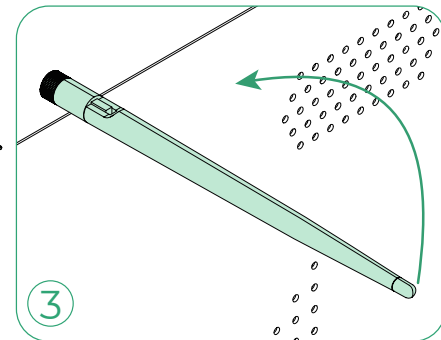
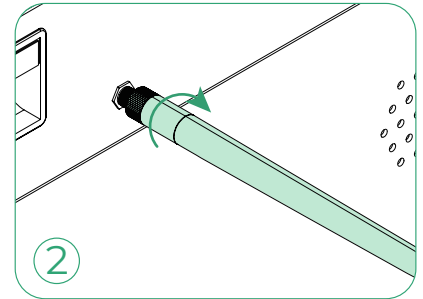
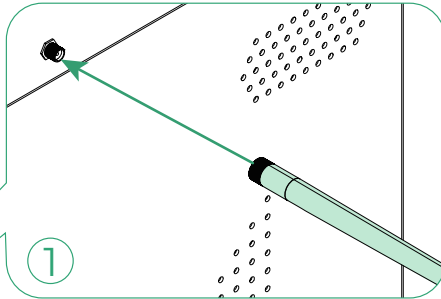
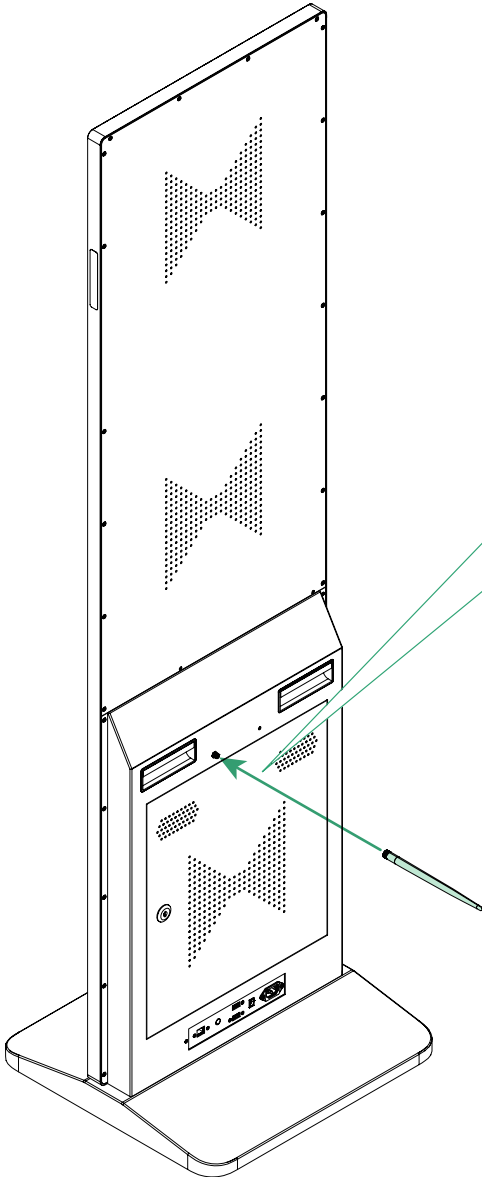
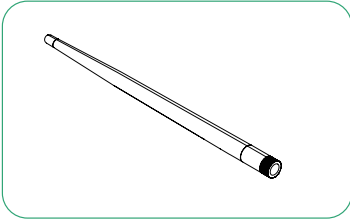
 The rear panel can only be opened using the maintenance key during repair.

Install xTool Self-Service Kiosk Floor Standing

1 Install the support base

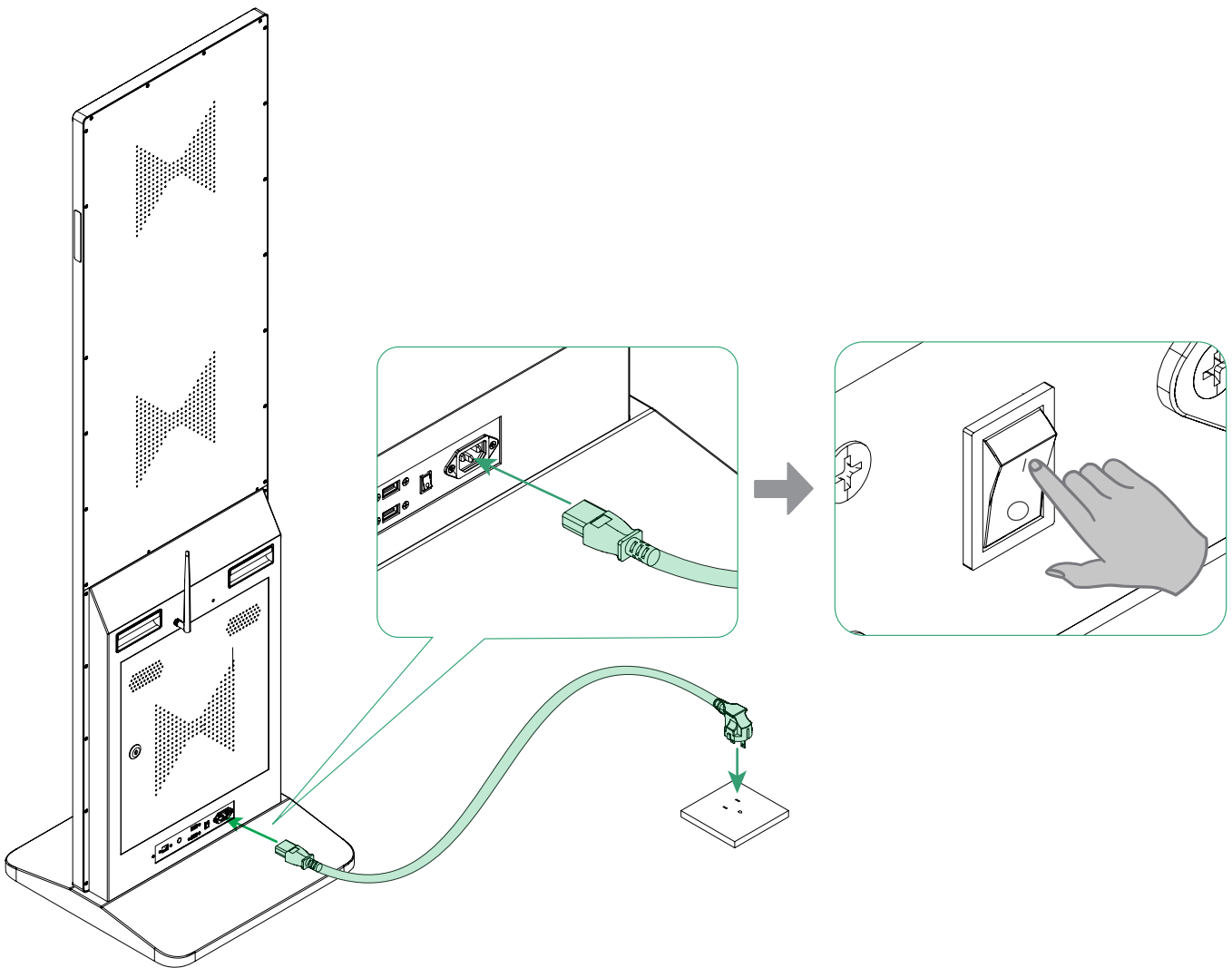
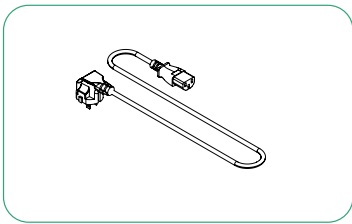


2 Install the antenna



Use xTool Self-Service Kiosk Floor Standing

Insert the power cable and turn on the kiosk





Scan the QR code or visit the provided link to learn how to use this product with xTool machines for processing.



support.xtool.com/article/2087

XTOOL